

Elbows / Bends

Australian Standard (Uni)

90° Long Radius Elbows (Australian Standard)

Grades: 304, 316
Unit of Supply: Each

Finish: Polished
Certification: Acc. to AS 1528.3

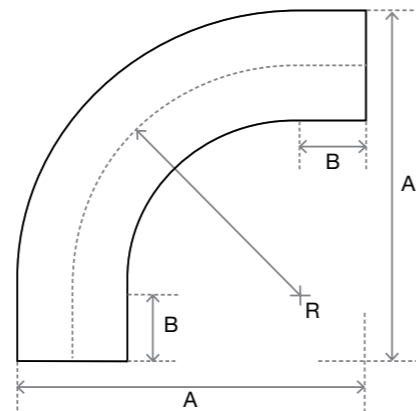


FTWE

Product Code	Grade	Product Size (mm)	Description	Weight ea (kg)
FTWE01271690LG304AS	G304	12.70 x 1.6mm (1/2")	ELBOW 90DEG LR AUSTRALIAN STANDARD G304 AS1528.3	0.04
FTWE01591690LG304AS	G304	15.88 x 1.6mm (5/8")	ELBOW 90DEG LR AUSTRALIAN STANDARD G304 AS1528.3	0.05
FTWE01901690LG304AS	G304	19.05 x 1.6mm (3/4")	ELBOW 90DEG LR AUSTRALIAN STANDARD G304 AS1528.3	0.07
FTWE02541690LG304AS	G304	25.40 x 1.6mm (1")	ELBOW 90DEG LR AUSTRALIAN STANDARD G304 AS1528.3	0.11
FTWE03811690LG304AS	G304	38.10 x 1.6mm (1-1/2")	ELBOW 90DEG LR AUSTRALIAN STANDARD G304 AS1528.3	0.27
FTWE05081690LG304AS	G304	50.80 x 1.6mm (2")	ELBOW 90DEG LR AUSTRALIAN STANDARD G304 AS1528.3	0.44
FTWE06351690LG304AS	G304	63.50 x 1.6mm (2-1/2")	ELBOW 90DEG LR AUSTRALIAN STANDARD G304 AS1528.3	0.59
FTWE07621690LG304AS	G304	76.20 x 1.6mm (3")	ELBOW 90DEG LR AUSTRALIAN STANDARD G304 AS1528.3	0.84
FTWE10161690LG304AS	G304	101.6 x 1.6mm (4")	ELBOW 90DEG LR AUSTRALIAN STANDARD G304 AS1528.3	1.12
FTWE12701690LG304AS	G304	127.0 x 1.6mm (5")	ELBOW 90DEG LR AUSTRALIAN STANDARD G304 AS1528.3	1.85
FTWE12702090LG304AS	G304	127.0 x 2.0mm (5")	ELBOW 90DEG LR AUSTRALIAN STANDARD G304 AS1528.3	1.85
FTWE15242090LG304AS	G304	152.4 x 2.0mm (6")	ELBOW 90DEG LR AUSTRALIAN STANDARD G304 AS1528.3	3.20
FTWE01271690LG316AS	G316	12.70 x 1.6mm (1/2")	ELBOW 90DEG LR AUSTRALIAN STANDARD G316 AS1528.3	0.04
FTWE01591690LG316AS	G316	15.88 x 1.6mm (5/8")	ELBOW 90DEG LR AUSTRALIAN STANDARD G316 AS1528.3	0.05
FTWE01901690LG316AS	G316	19.05 x 1.6mm (3/4")	ELBOW 90DEG LR AUSTRALIAN STANDARD G316 AS1528.3	0.07
FTWE02541690LG316AS	G316	25.40 x 1.6mm (1")	ELBOW 90DEG LR AUSTRALIAN STANDARD G316 AS1528.3	0.11
FTWE03811690LG316AS	G316	38.10 x 1.6mm (1-1/2")	ELBOW 90DEG LR AUSTRALIAN STANDARD G316 AS1528.3	0.21
FTWE05081690LG316AS	G316	50.80 x 1.6mm (2")	ELBOW 90DEG LR AUSTRALIAN STANDARD G316 AS1528.3	0.34
FTWE06351690LG316AS	G316	63.50 x 1.6mm (2-1/2")	ELBOW 90DEG LR AUSTRALIAN STANDARD G316 AS1528.3	0.48
FTWE07621690LG316AS	G316	76.20 x 1.6mm (3")	ELBOW 90DEG LR AUSTRALIAN STANDARD G316 AS1528.3	0.66
FTWE10161690LG316AS	G316	101.6 x 1.6mm (4")	ELBOW 90DEG LR AUSTRALIAN STANDARD G316 AS1528.3	1.12
FTWE12701690LG316AS	G316	127.0 x 1.6mm (5")	ELBOW 90DEG LR AUSTRALIAN STANDARD G316 AS1528.3	1.85
FTWE12702090LG316AS	G316	127.0 x 2.0mm (5")	ELBOW 90DEG LR AUSTRALIAN STANDARD G316 AS1528.3	1.85
FTWE15242090LG316AS	G316	152.4 x 2.0mm (6")	ELBOW 90DEG LR AUSTRALIAN STANDARD G316 AS1528.3	3.20

Diameter mm	Inch	Dim A mm	Dim B mm	Radius* mm
12.70	1/2	55.4	30.0	19.0
15.88	5/8	61.7	30.0	23.8
19.05	3/4	68.2	30.0	28.6
25.40	1	80.8	30.0	38.1
31.80	1-1/4	93.5	30.0	47.6
38.10	1-1/2	106.2	30.0	57.2
50.80	2	131.6	30.0	76.2
63.50	2-1/2	157.1	30.0	95.3
76.20	3	182.4	30.0	114.3
101.6	4	233.2	30.0	152.4
127.0	5	294.0	40.0	190.5
152.4	6	344.8	40.0	228.6

Tolerances: Diameter ± 0.5% of OD, Square Target 0.2mm, Max 0.4mm, Dim A ± 1.5mm, Dim B Nominal, Radius Nominal



*Nominal dimensions only. Typically a bend is formed to a slightly tighter radius to allow for a radial growth growth and springback. The "A" dimension will always be correct.

Elbows / Bends

90° Long Radius OD Elbows (NZ Standard)

Grades: 304, 316
Unit of Supply: Each

Finish: Polished
Certification: Acc. to AS 1528.3 & A774
(Remaining sizes match Australian Standard)



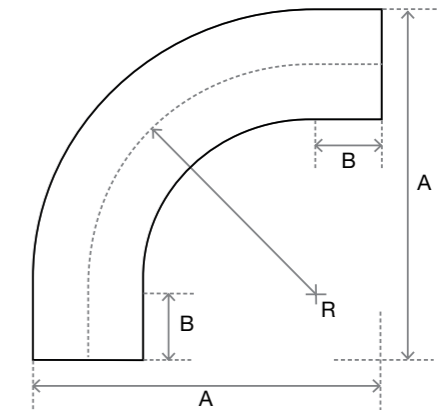
FTWE

Product Code	Grade	Product Size (mm)	Description	Weight ea (kg)
FTWE03181690LG304	G304	31.80 x 1.6mm (1-1/4")	ELBOW 90DEG LR NZ STANDARD G304 AS1528.3	0.18
FTWE03811690LG304	G304	38.10 x 1.6mm (1-1/2")	ELBOW 90DEG LR NZ STANDARD G304 AS1528.3	0.27
FTWE04451690LG304	G304	44.45 x 1.6mm (1-3/4")	ELBOW 90DEG LR NZ STANDARD G304 AS1528.3	0.33
FTWE05081690LG304	G304	50.80 x 1.6mm (2")	ELBOW 90DEG LR NZ STANDARD G304 AS1528.3	0.44
FTWE06351690LG304	G304	63.50 x 1.6mm (2-1/2")	ELBOW 90DEG LR NZ STANDARD G304 AS1528.3	0.59
FTWE07621690LG304	G304	76.20 x 1.6mm (3")	ELBOW 90DEG LR NZ STANDARD G304 AS1528.3	0.84
FTWE20322090LG304	G304	203.2 OD x 2.0mm (8")	ELBOW 90DEG LR NZ STANDARD G304 AS1528.3	4.90
FTWE03181690LG316	G316	31.80 x 1.6mm (1-1/4")	ELBOW 90DEG LR NZ STANDARD G316 AS1528.3	0.18
FTWE03811690LG316	G316	38.10 x 1.6mm (1-1/2")	ELBOW 90DEG LR NZ STANDARD G316 AS1528.3	0.27
FTWE04451690LG316	G316	44.45 x 1.6mm (1-3/4")	ELBOW 90DEG LR NZ STANDARD G316 AS1528.3	0.32
FTWE05081690LG316	G316	50.80 x 1.6mm (2")	ELBOW 90DEG LR NZ STANDARD G316 AS1528.3	0.42
FTWE06351690LG316	G316	63.50 x 1.6mm (2-1/2")	ELBOW 90DEG LR NZ STANDARD G316 AS1528.3	0.62
FTWE07621690LG316	G316	76.20 x 1.6mm (3")	ELBOW 90DEG LR NZ STANDARD G316 AS1528.3	0.84
FTWE20322090LG316	G316L	203.2 OD x 2.0mm (8")	ELBOW 90DEG LR NZ STANDARD G316 AS1528.3	4.90

NZ Standard Only

Diameter mm	Inch	Dim A mm	Dim B mm	Radius* mm
31.80	1-1/4	104.9	31.8	57.2
38.10	1-1/2	130.2	34.9	76.2
44.55	1-3/4	139.8	38.1	79.4
50.80	2	158.8	31.8	101.6
63.50	2-1/2	184.2	38.1	114.3
76.20	3	215.9	38.1	139.7
203.20	8	406.4	0	304.8

Tolerances: Diameter ± 0.5% of OD, Square Target 0.2mm, Max 0.4mm, Dim A ± 1.5mm, Dim B Nominal, Radius Nominal



*Nominal dimensions only. Typically a bend is formed to a slightly tighter radius to allow for a radial growth growth and springback. The "A" dimension will always be correct.

Elbows / Bends

90° Long Radius ID Elbows

Grades: 304L, 316L
Unit of Supply: Each

Finish: Polished
Certification: Acc. to ASTM A774

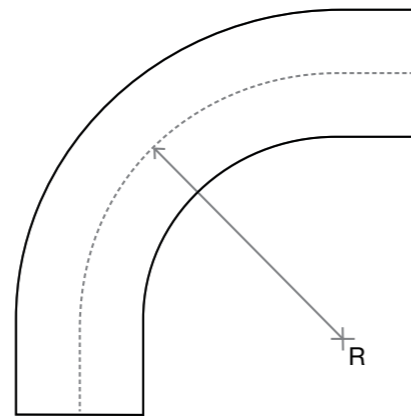


FTWE

Product Code	Grade	Product Size (mm)	Description	Weight ea (kg)
FTWE2032ID1990LG304L	G304L	203.2 ID x 2.0mm (8")	ELBOW 90DEG LONG RADIUS G304L ASTM A774	4.90
FTWE2032ID3090LG304L	G304L	203.2 ID x 3.0mm (8")	ELBOW 90DEG LONG RADIUS G304L ASTM A774	7.80
FTWE2540ID1990LG304L	G304L	254.0 ID x 2.0mm (10")	ELBOW 90DEG LONG RADIUS G304L ASTM A774	7.64
FTWE2540ID3090LG304L	G304L	254.0 ID x 3.0mm (10")	ELBOW 90DEG LONG RADIUS G304L ASTM A774	12.30
FTWE3048ID1990LG304L	G304L	304.8 ID x 2.0mm (12")	ELBOW 90DEG LONG RADIUS G304L ASTM A774	11.20
FTWE3048ID3090LG304L	G304L	304.8 ID x 3.0mm (12")	ELBOW 90DEG LONG RADIUS G304L ASTM A774	17.83
FTWE2032ID1990LG316L	G316L	203.2 ID x 2.0mm (8")	ELBOW 90DEG LONG RADIUS G316L ASTM A774	4.90
FTWE2032ID3090LG316L	G316L	203.2 ID x 3.0mm (8")	ELBOW 90DEG LONG RADIUS G316L ASTM A774	7.80
FTWE2540ID1990LG316L	G316L	254.0 ID x 2.0mm (10")	ELBOW 90DEG LONG RADIUS G316L ASTM A774	7.64
FTWE2540ID3090LG316L	G316L	254.0 ID x 3.0mm (10")	ELBOW 90DEG LONG RADIUS G316L ASTM A774	12.30
FTWE3048ID1990LG316L	G316L	304.8 ID x 2.0mm (12")	ELBOW 90DEG LONG RADIUS G316L ASTM A774	11.20
FTWE3048ID3090LG316L	G316L	304.8 ID x 3.0mm (12")	ELBOW 90DEG LONG RADIUS G316L ASTM A774	17.83
FTWE3556ID3090LG316L	G316L	355.6 ID x 3.0mm (14")	ELBOW 90DEG LONG RADIUS G316L ASTM A774	24.90
FTWE4064ID3090LG316L	G316L	406.4 ID x 3.0mm (16")	ELBOW 90DEG LONG RADIUS G316L ASTM A774	31.70

Diameter mm	Inch	Radius* mm
203.2	8	304.8
254.0	10	381.0
304.8	12	457.2
355.6	14	533.4
406.4	16	609.6

Tolerances: Diameter ± 0.5% of OD, Square Target 0.2mm, Max 0.4mm, Dim A ± 1.5mm, Dim B Nominal, Radius Nominal



*Nominal dimensions only. Typically a bend is formed to a slightly tighter radius to allow for a radial growth growth and springback. The "A" dimension will always be correct.

Elbows / Bends

90° Short Radius Elbows

Grades: 304, 316, 2205
Unit of Supply: Each

Finish: Polished



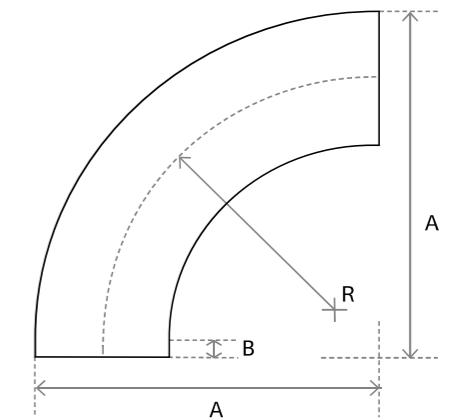
FTWE

Product Code	Grade	Product Size (mm)	Description	Weight ea (kg)
FTWE02541690SG304	G304	25.40 x 1.6mm (1")	ELBOW 90DEG SHORT RADIUS G304	0.11
FTWE03181690SG304	G304	31.80 x 1.6mm (1-1/4")	ELBOW 90DEG SHORT RADIUS G304	0.12
FTWE03811690SG304	G304	38.10 x 1.6mm (1-1/2")	ELBOW 90DEG SHORT RADIUS G304	0.13
FTWE05081690SG304	G304	50.80 x 1.6mm (2")	ELBOW 90DEG SHORT RADIUS G304	0.22
FTWE06351690SG304	G304	63.50 x 1.6mm (2-1/2")	ELBOW 90DEG SHORT RADIUS G304	0.35
FTWE07621690SG304	G304	76.20 x 1.6mm (3")	ELBOW 90DEG SHORT RADIUS G304	0.53
FTWE10161690SG304	G304	101.6 x 1.6mm (4")	ELBOW 90DEG SHORT RADIUS G304	0.90
FTWE02541690SG316	G316	25.40 x 1.6mm (1")	ELBOW 90DEG SHORT RADIUS G316	0.11
FTWE03181690SG316	G316	31.80 x 1.6mm (1-1/4")	ELBOW 90DEG SHORT RADIUS G316	0.12
FTWE03811690SG316	G316	38.10 x 1.6mm (1-1/2")	ELBOW 90DEG SHORT RADIUS G316	0.13
FTWE05081690SG316	G316	50.80 x 1.6mm (2")	ELBOW 90DEG SHORT RADIUS G316	0.22
FTWE06351690SG316	G316	63.50 x 1.6mm (2-1/2")	ELBOW 90DEG SHORT RADIUS G316	0.35
FTWE07621690SG316	G316	76.20 x 1.6mm (3")	ELBOW 90DEG SHORT RADIUS G316	0.53
FTWE10161690SG316	G316	101.6 x 1.6mm (4")	ELBOW 90DEG SHORT RADIUS G316	0.92
FTWE01901290LG2205	G2205	19.05 x 1.2mm (3/4")	ELBOW 90DEG SHORT RADIUS G2205	0.06
FTWE01901690LG2205	G2205	19.05 x 1.6mm (3/4")	ELBOW 90DEG SHORT RADIUS G2205	0.07
FTWE02541690LG2205	G2205	25.40 x 1.6mm (1")	ELBOW 90DEG SHORT RADIUS G2205	0.03
FTWE03181690LG2205	G2205	31.80 x 1.6mm (1-1/4")	ELBOW 90DEG SHORT RADIUS G2205	0.11
FTWE03811690LG2205	G2205	38.10 x 1.6mm (1-1/2")	ELBOW 90DEG SHORT RADIUS G2205	0.12
FTWE05081690LG2205	G2205	50.80 x 1.6mm (2")	ELBOW 90DEG SHORT RADIUS G2205	1.00
FTWE06351690LG2205	G2205	63.50 x 1.6mm (2-1/2")	ELBOW 90DEG SHORT RADIUS G2205	0.44
FTWE06352090LG2205	G2205	63.50 x 2.0mm (2-1/2")	ELBOW 90DEG SHORT RADIUS G2205	0.60
FTWE07622090LG2205	G2205	76.20 x 2.0mm (3")	ELBOW 90DEG SHORT RADIUS G2205	0.63
FTWE10162090LG2205	G2205	101.6 x 2.0mm (4")	ELBOW 90DEG SHORT RADIUS G2205	1.15

304 and 316 Only

Diameter mm	Inch	Dim A mm	Dim B mm	Radius* mm
25.40	1	50.8	0.0	38.1
31.80	1-1/4	76.2	12.7	47.6
38.10	1-1/2	76.2	0.0	57.2
50.80	2	101.6	0.0	76.2
63.50	2-1/2	127.0	0.0	95.3
76.20	3	152.2	0.0	114.3
101.6	4	203.2	0.0	152.4

Tolerances: Diameter ± 0.5% of OD, Dim A + 1mm -0mm, Dim B Nominal, Radius Nominal



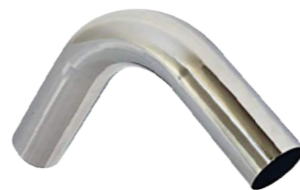
*Nominal dimensions only. Typically a bend is formed to a slightly tighter radius to allow for a radial growth growth and springback. The "A" dimension will always be correct.

Elbows / Bends

90° Long Leg Elbows

Grades: 304
Unit of Supply: Each

Finish: Polished

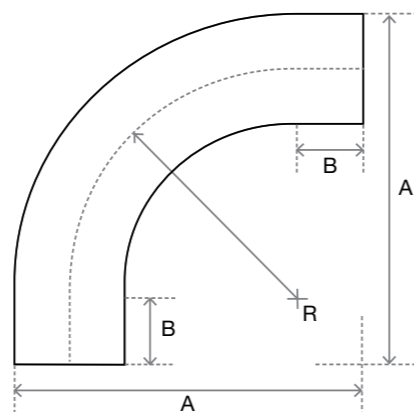


FTWE

Product Code	Grade	Product Size (mm)	Description	Weight ea (kg)
FTWE03181290LG304LL	G304	31.80 x 1.2mm (1-1/4")	ELBOW 90DEG G304 LONG LEG	0.16
FTWE03811290LG304LL	G304	38.10 x 1.2mm (1-1/2")	ELBOW 90DEG G304 LONG LEG	0.24
FTWE05081290LG304LL	G304	50.80 x 1.2mm (2")	ELBOW 90DEG G304 LONG LEG	0.41
FTWE06351290LG304LL	G304	63.50 x 1.2mm (2-1/2")	ELBOW 90DEG G304 LONG LEG	0.63
FTWE07621690LG304LL	G304	76.20 x 1.6mm (3")	ELBOW 90DEG G304 LONG LEG	1.24
FTWE10161690LG304LL	G304	101.6 x 1.6mm (4")	ELBOW 90DEG G304 LONG LEG	1.81

Diameter mm	Inch	Dim A mm	Dim B mm	Radius* mm
25.40	1	94.4	37.2	44.5
31.80	1-1/4	120.9	47.8	57.2
38.10	1-1/2	150.1	54.9	76.2
50.80	2	190.8	63.8	101.6
63.50	2-1/2	235.2	89.1	114.3
76.20	3	295.9	118.1	139.7
101.6	4	328.6	125.4	152.4

Tolerances: Diameter ± 0.5% of OD, Square Target 0.2mm, Max 0.4mm, Dim A + 1mm -0mm, Dim B Nominal, Radius Nominal



*Nominal dimensions only. Typically a bend is formed to a slightly tighter radius to allow for a radial growth growth and springback. The "A" dimension will always be correct.

Elbows / Bends

45° Elbows

Grades: 304, 316
Unit of Supply: Each

Finish: Polished
Certification: Acc. to AS 1528.3



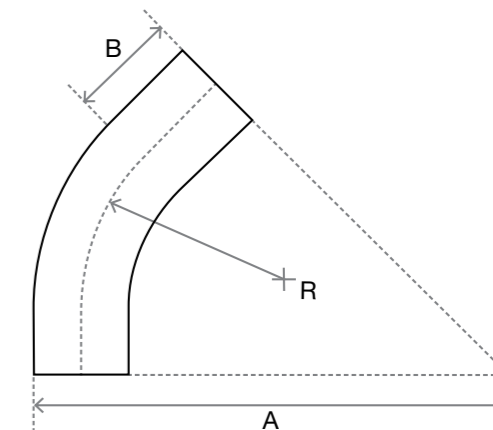
FTWE

Product Code	Grade	Product Size (mm)	Description	Weight ea (kg)
FTWE02541645LG304	G304	25.40 x 1.6mm (1")	ELBOW 45DEG G304 AS1528.3	0.08
FTWE03181645LG304	G304	31.80 x 1.6mm (1-1/4")	ELBOW 45DEG G304 AS1528.3	0.11
FTWE03811645LG304	G304	38.10 x 1.6mm (1-1/2")	ELBOW 45DEG G304 AS1528.3	0.15
FTWE05081645LG304	G304	50.80 x 1.6mm (2")	ELBOW 45DEG G304 AS1528.3	0.23
FTWE06351645LG304	G304	63.50 x 1.6mm (2-1/2")	ELBOW 45DEG G304 AS1528.3	0.32
FTWE07621645LG304	G304	76.20 x 1.6mm (3")	ELBOW 45DEG G304 AS1528.3	0.42
FTWE10161645LG304	G304	101.6 x 1.6mm (4")	ELBOW 45DEG G304 AS1528.3	0.68
FTWE12701645LG304	G304	127.0 x 1.6mm (5")	ELBOW 45DEG G304 AS1528.3	1.50
FTWE15242045LG304	G304	152.4 x 2.0mm (6")	ELBOW 45DEG G304 AS1528.3	1.85

FTWE02541645LG316	G316	25.40 x 1.6mm (1")	ELBOW 45DEG G316 AS1528.3	0.09
FTWE03181645LG316	G316	31.80 x 1.6mm (1-1/4")	ELBOW 45DEG G316 AS1528.3	0.12
FTWE03811645LG316	G316	38.10 x 1.6mm (1-1/2")	ELBOW 45DEG G316 AS1528.3	0.15
FTWE04451645LG316	G316	44.45 x 1.6mm (1-3/4")	ELBOW 45DEG G316 AS1528.3	0.20
FTWE05081645LG316	G316	50.80 x 1.6mm (2")	ELBOW 45DEG G316 AS1528.3	0.23
FTWE06351645LG316	G316	63.50 x 1.6mm (2-1/2")	ELBOW 45DEG G316 AS1528.3	0.32
FTWE07621645LG316	G316	76.20 x 1.6mm (3")	ELBOW 45DEG G316 AS1528.3	0.44
FTWE10161645LG316	G316	101.6 x 1.6mm (4")	ELBOW 45DEG G316 AS1528.3	0.68
FTWE12701645LG316	G316	127.0 x 1.6mm (5")	ELBOW 45DEG G316 AS1528.3	1.20
FTWE15242045LG316	G316	152.4 x 2.0mm (6")	ELBOW 45DEG G316 AS1528.3	1.86
FTWE20322045LG316	G316	203.2 x 2.0mm (8")	ELBOW 45DEG G316 AS1528.3	2.50

Diameter mm	Inch	Dim A mm	Dim B mm	Radius* mm
19.05	3/4	110.5	30.0	28.7
25.40	1	123.0	30.0	37.1
31.80	1-1/4	136.0	30.0	47.6
38.10	1-1/2	148.0	30.0	57.2
44.45	1-3/4	193.6	38.1	79.4
50.80	2	174.0	30.0	76.2
63.50	2-1/2	199.0	30.0	95.3
76.20	3	225.0	30.0	114.3
101.6	4	275.0	30.0	152.4
127.0	5	350.6	40.0	190.5
152.4	6	401.4	40.0	228.6

Tolerances: Diameter ± 0.5% of OD, Square Target 0.2mm, Max 0.4mm, Dim A ± 1.5mm, Dim B Nominal, Radius Nominal



*Nominal dimensions only. Typically a bend is formed to a slightly tighter radius to allow for a radial growth growth and springback. The "A" dimension will always be correct.

Elbows / Bends

45° Long Leg Elbows

Grades: 304
Unit of Supply: Each

Finish: Polished

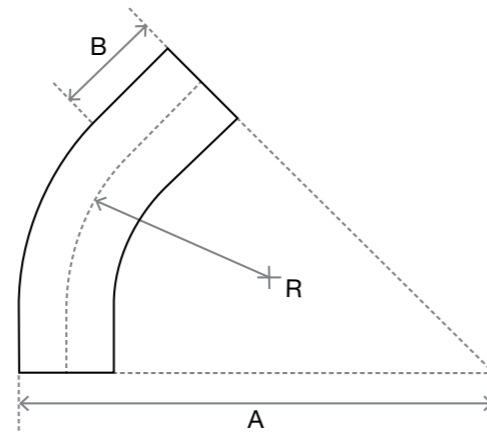


FTWE

Product Code	Grade	Product Size (mm)	Description	Weight ea (kg)
FTWE03811245LG304LL	G304	38.10 x 1.2mm (1-1/2")	ELBOW 45DEG G304 LONG LEG	0.15
FTWE05081245LG304LL	G304	50.80 x 1.2mm (2")	ELBOW 45DEG G304 LONG LEG	0.20
FTWE06351245LG304LL	G304	63.50 x 1.2mm (2-1/2")	ELBOW 45DEG G304 LONG LEG	0.30
FTWE07621645LG304LL	G304	76.20 x 1.6mm (3")	ELBOW 45DEG G304 LONG LEG	0.50
FTWE10161645LG304LL	G304	101.6 x 1.6mm (4")	ELBOW 45DEG G304 LONG LEG	1.00

Diameter mm	Inch	Dim A mm	Dim B mm	Radius* mm
31.80	1-1/4	188.5	47.80	57.2
38.10	1-1/2	227.8	54.90	76.2
50.80	2	281.0	63.80	101.6
63.50	2-1/2	361.2	89.10	114.3
76.20	3	462.9	118.1	139.7

Tolerances: Diameter ± 0.5% of OD, Square Target 0.2mm, Max 0.4mm, Dim A ± 1.5mm, Dim B Nominal, Radius Nominal



*Nominal dimensions only. Typically a bend is formed to a slightly tighter radius to allow for a radial growth growth and springback. The "A" dimension will always be correct.

Elbows / Bends

180° Elbows

Grades: 304, 316
Unit of Supply: Each

Finish: Polished
Certification: Some sizes acc. to AS 1528.3



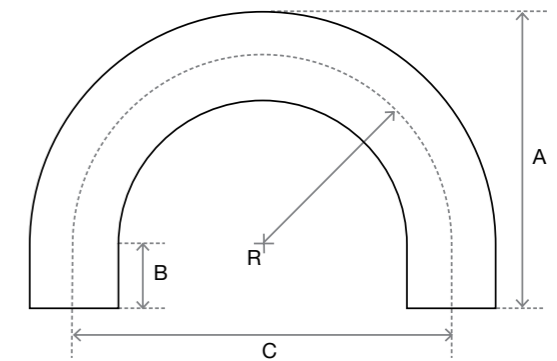
FTWE

Product Code	Grade	Product Size (mm)	Description	Weight ea (kg)
FTWE025416180G304	G304	25.40 x 1.6mm (1")	ELBOW 180DEG G304	0.16
FTWE031816180G304	G304	31.80 x 1.6mm (1-1/4")	ELBOW 180DEG G304	0.28
FTWE038116180G304	G304	38.10 x 1.6mm (1-1/2")	ELBOW 180DEG G304	0.43
FTWE050816180G304	G304	50.80 x 1.6mm (2")	ELBOW 180DEG G304	0.70
FTWE063516180G304	G304	63.50 x 1.6mm (2-1/2")	ELBOW 180DEG G304	1.02
FTWE076216180G304	G304	76.20 x 1.6mm (3")	ELBOW 180DEG G304	1.46
FTWE101616180G304	G304	101.6 x 1.6mm (4")	ELBOW 180DEG G304	2.00
FTWE025416180G316	G316	25.40 x 1.6mm (1")	ELBOW 180DEG G316	0.16
FTWE031816180G316	G316	31.80 x 1.6mm (1-1/4")	ELBOW 180DEG G316	0.28
FTWE038116180G316	G316	38.10 x 1.6mm (1-1/2")	ELBOW 180DEG G316	0.43
FTWE044516180G316	G316	44.45 x 1.6mm (1-3/4")	ELBOW 180DEG G316	0.61
FTWE050816180G316	G316	50.80 x 1.6mm (2")	ELBOW 180DEG G316	0.76
FTWE063516180G316	G316	63.50 x 1.6mm (2-1/2")	ELBOW 180DEG G316	1.02
FTWE076216180G316	G316	76.20 x 1.6mm (3")	ELBOW 180DEG G316	1.46
FTWE101616180G316	G316	101.6 x 1.6mm (4")	ELBOW 180DEG G316	2.00

180° Elbows – NZ Standard

Diameter mm	Inch	Dim A mm	Dim B mm	Radius* mm
31.80	1-1/4	104.9	31.8	57.2
38.10	1-1/2	130.2	34.9	76.2
44.45	1-3/4	139.8	38.1	79.4
50.80	2	158.8	31.8	101.6
63.50	2-1/2	184.2	38.1	114.3
76.20	3	215.9	38.1	139.7

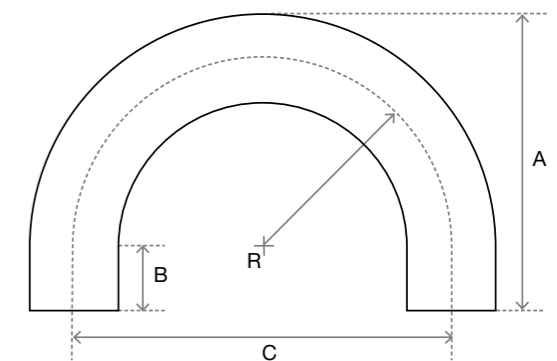
Tolerances: Dim A ± 1mm, Dim B Nominal, Dim C Nominal – typically 2 x R x 1.03. If critical to your end use, please talk to us first



180° Elbows – Australian Standard

Diameter mm	Inch	Dim A mm	Dim B mm	Radius* mm
25.40	1	80.8	30.0	38.1
101.6	4	233.2	30.0	152.4

Tolerances: Dim A ± 1mm, Dim B Nominal, Dim C Nominal – typically 2 x R x 1.03. If critical to your end use, please talk to us first



*Nominal dimensions only. Typically a bend is formed to a slightly tighter radius to allow for a radial growth growth and springback. The "A" dimension will always be correct.