

Closure Bends & Slip Joints

Angle Closure Bends (ACB)

90° Closure
Code: UWAACB90140

35° Closure
Code: UWAACB35140

38° Closure
Code: UWAACB35140

41° Closure
Code: UWAACB41140

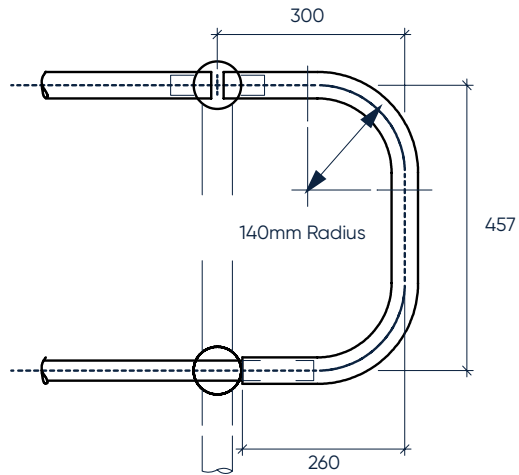
44° Closure
Code: UWAACB44140

Rail Bends (RB)

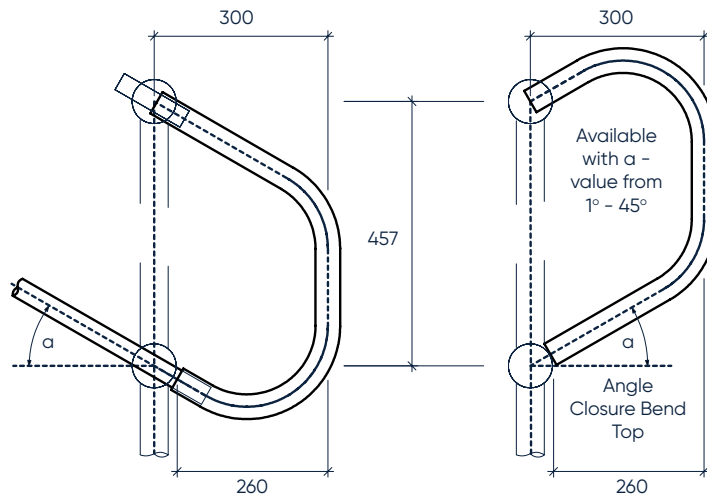
90° Handrail Bend
Code: UWAHR90

90° Kneerail Bend
Code: UWAKR90

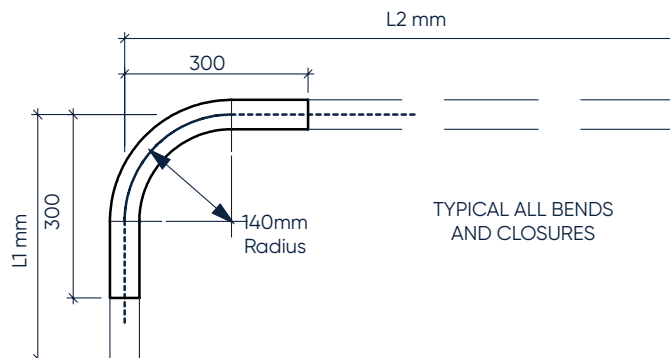
90° Angle Close Bends (ACB)



35° - 44° Angle Close Bends (ACB)



Rail Bends (RB)



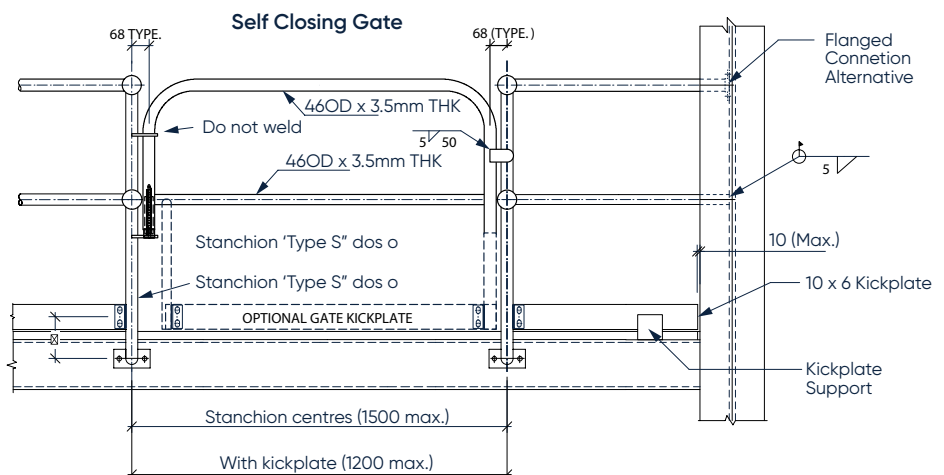
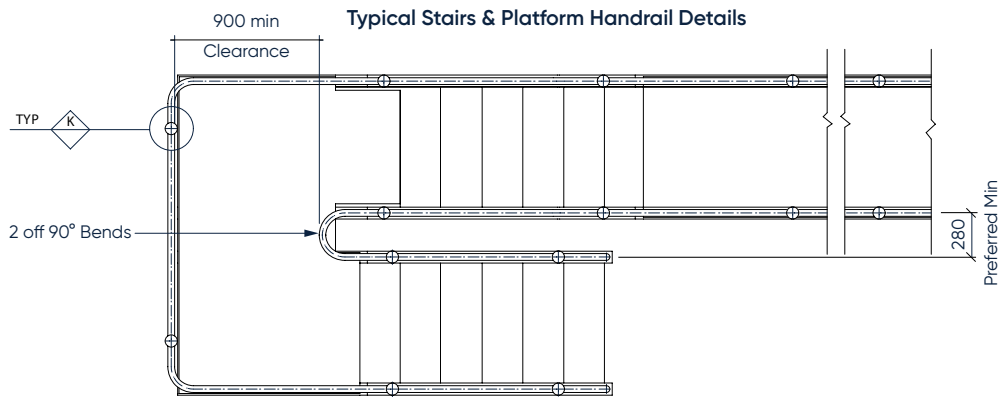
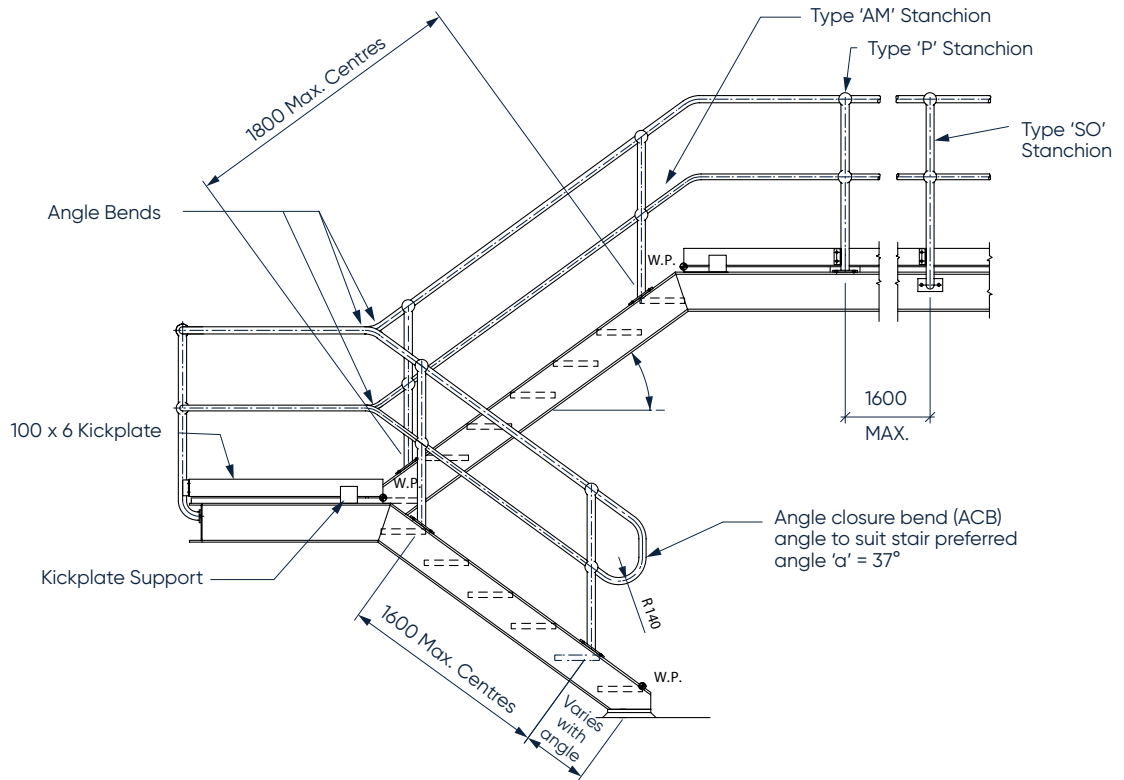
OAD = Overall Dimensions

Please contact your local branch for more enquires and stock levels.

Note that some products may not be available in all states, and variations or substitutions may be an option.

Diagrams are schematic only and not intended as specification drawings.

Closure Bends & Slip Joints (Continued)



OAD = Overall Dimensions

Please contact your local branch for more enquires and stock levels.

Note that some products may not be available in all states, and variations or substitutions may be an option.

Diagrams are schematic only and not intended as specification drawings.